

Figure 1

Step 1: Attaching the box base to the ROPS bar

First, attach the box base to the appropriate spot on your ROPS bar. Two brackets are used inside the toolbox and two are on the opposite side of the bar as shown in **figure 2**. The brackets are designed to fit up to 6" wide ROPS tubing, so select the mounting holes that are closest to your tubing size. **DO NOT** remove any hardware or drill any holes in your ROPS bar. It is easiest to attach the top brackets on one end, then straddle the ROPS bar with the bolt on the other end. Repeat for the bottom bracket and tighten securely.

Step 2: Attaching the box lid and handle

Attach the box lid using the 8mm bolts, washers and locknuts as shown in **figure 3**. Tighten the locknuts, then reverse the nut enough to allow the lid to slide up and rotate in the pivot slot. Now attach the handle and lid support as shown in **figure 1**. Verify the handle is mounted as shown for proper operation.

Use 2 brackets outside and 2 brackets inside

ROPS bar goes between the box and bracket

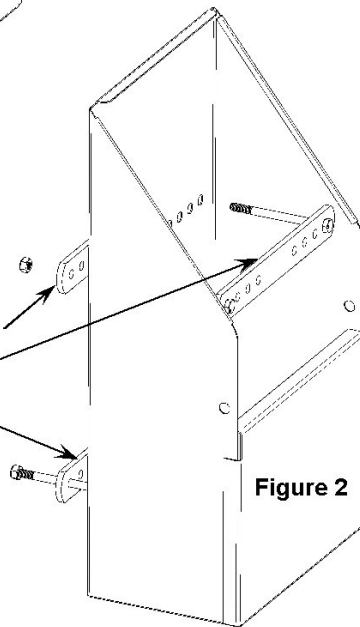


Figure 2

The unique design of this toolbox eliminates latches for one-hand operation. The vertical design makes it easier to locate tools without the need to "dig through" tools on top.

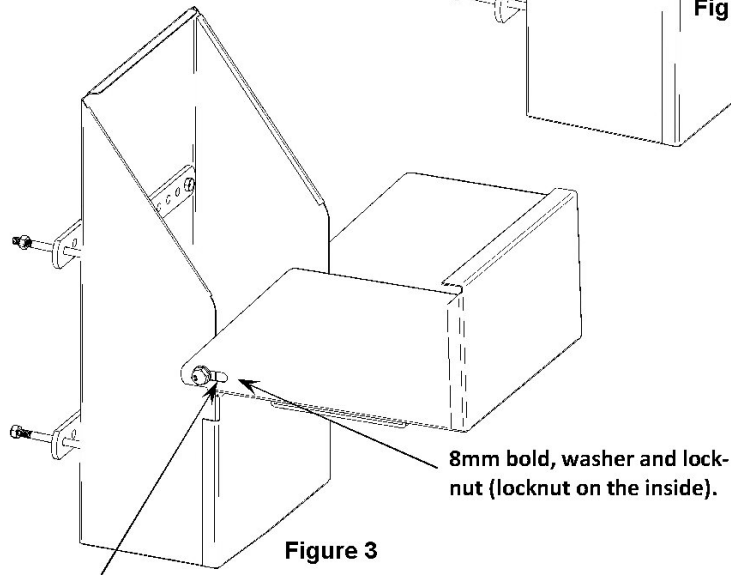


Figure 3

Lift & Rotate Slot

LIMITED WARRANTY

(A) Warranty

MAXXTUFF warrants to the original retail purchaser that all products manufactured by it are free from defects in material & manufacturing at the time of shipment for twelve (12) months from the date of purchase. MAXXTUFF will repair or replace any part found defective if the unit claimed to be defective is returned to MAXXTUFF, postage prepaid, within the warranty period.

This warranty shall not apply to any product which has been subjected to misuse, misapplication, neglect (including but not limited to improper maintenance), accident, improper installation or assembly, modification (including but not limited to use of unauthorized parts or attachments), adjustment, or repair. THE FOREGOING IS IN LIEU OF ALL OTHER WARRANTIES, WHETHER EXPRESS OR IMPLIED (INCLUDING THOSE OF MERCHANTABILITY & FITNESS OF ANY PRODUCT FOR A PARTICULAR PURPOSE), & OF ANY OTHER OBLIGATION OR LIABILITY ON THE PART OF THE COMPANY.

(B) LIMITATION OF LIABILITY

It is expressly understood that MAXXTUFF's liability for its products, whether due to breach of warranty, negligence, strict liability, or otherwise, is limited to the repair of the product, as stated above, & MAXXTUFF will not be liable for any other injury, loss, damage or expense, whether direct or consequential, including but not limited to loss of use, income, profit, or damage to material, arising in connection with the sale, installation & efficiency of the product. It shall not be obligated to make such alterations or modifications to products already in service.